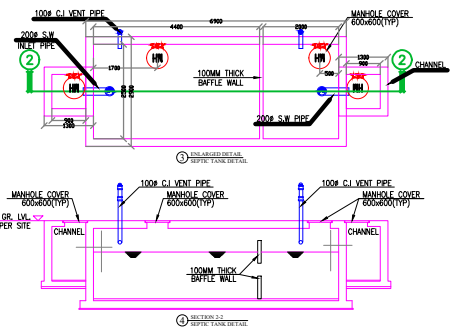


**GROUND FLOOR PLAN**  
SCALE - 1:100



17, BAL MUKUND MAKKAR ROAD

**PART B:**

|  |        |   |         |     |
|--|--------|---|---------|-----|
| 1. AREA OF SITE (AS PER DEED)                        | -      | - | 994.95  | SQM |
| 2. AREA OF LAND (AS PER DEED)                        | -      | - | 994.95  | SQM |
| 3. PERMISSIBLE GROUND COVERAGE (50.00%)              | -      | - | 497.47  | SQM |
| 4. PROPOSED GROUND COVERAGE                          | 22.83% | - | 225.27% | SQM |
| 5. PROPOSED HEIGHT (IN METERS)                       | -      | - | 13.075  |     |
| 6. PROPOSED ROAD WIDTH (IN METERS) (AS PER PHYSICAL) | -      | - | 13.075  |     |

**7. PROPOSED AREA CALCULATION - FOR RESIDENTIAL:**

| FLOOR        | COVERED AREA | CUTOFF | GROSS AREA | SPARE & STAIR LOBBY | LIFT LOBBY | NET FLOOR AREA |
|--------------|--------------|--------|------------|---------------------|------------|----------------|
| GROUND FLOOR | 377.000      | 0.000  | 377.000    | 33.000              | 0.000      | 344.000        |
| 1ST FLOOR    | 384.250      | 16.992 | 377.258    | 21.200              | 0.000      | 356.058        |
| 2ND FLOOR    | 384.250      | 5.811  | 388.491    | 21.200              | 0.000      | 347.291        |
| 3RD FLOOR    | 384.250      | 5.811  | 388.491    | 21.200              | 0.000      | 347.291        |
| 4TH FLOOR    | 384.250      | 5.811  | 388.491    | 21.200              | 0.000      | 347.291        |
| 5TH FLOOR    | 384.250      | 5.811  | 388.491    | 21.200              | 0.000      | 347.291        |
| TOTAL        | 2008.000     | 40.325 | 2108.325   | 218.200             | 0.000      | 2090.125       |

**8. CAR PARKING CALCULATION - FOR RESIDENTIAL:**

| FLOOR MARKED | COVERED AREA | CARPET AREA | REQUIRED CAR PARKING |
|--------------|--------------|-------------|----------------------|
| GROUND FLOOR | 379.000      | 360.204     | 4 NOS.               |

**9. MERCANTILE RETAIL:**

| FLOOR MARKED | COVERED AREA | CARPET AREA | REQUIRED CAR PARKING |
|--------------|--------------|-------------|----------------------|
| GROUND FLOOR | 379.000      | 360.204     | 4 NOS.               |

**10. BUSINESS:**

| FLOOR MARKED                 | COVERED AREA | CARPET AREA | REQUIRED CAR PARKING |
|------------------------------|--------------|-------------|----------------------|
| GROUND FLOOR                 | 377.000      | 258.309     | 5 NOS.               |
| 1ST FLOOR                    | 388.400      | 282.554     | 5 NOS.               |
| 2ND FLOOR                    | 388.400      | 282.554     | 5 NOS.               |
| 3RD FLOOR                    | 388.400      | 282.554     | 5 NOS.               |
| 4TH FLOOR                    | 388.400      | 282.554     | 5 NOS.               |
| 5TH FLOOR                    | 388.400      | 282.554     | 5 NOS.               |
| TOTAL REQUIRED CAR PARKING - | -            | -           | 29 NOS.              |

**11. TOTAL PROVIDED CAR PARKING -** 29 NOS. (AS PER DEED)

**12. OTHER AREA ONLY FOR FEES - STAIR HEAD ROOM AREA, LIFT W/A AREA -** 30 NOS. (AS PER DEED)

**13. RELAXATION OF AUTHORITY, IF ANY -** 29 NOS. (AS PER DEED)

**OBSERVATION OF OTHER AGENCIES:**

1) NO. OF ULC - NO. 100/100/200/200/200, DATED-17/01/2024

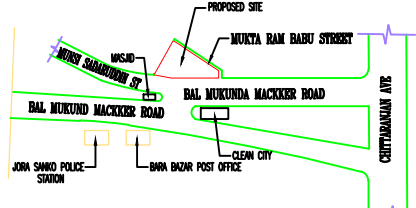
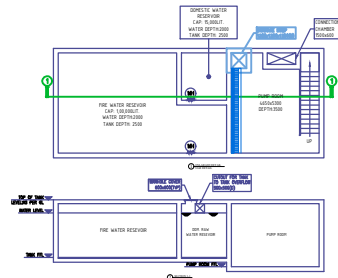
**STATEMENT OF THE PLAN PROPOSAL:**

**PART A:**

1. ADDRESS NO. - 17/10/2024
2. AREA OF PROPOSED BUILD -
3. PROPOSED FLOOR IN THE PROPOSED BUILD - 1, VOLUME NO. - 100-200
4. TYPE OF BUILDING - COMMERCIAL
5. AREA OF PROPOSED DEVELOPMENT -
6. AREA OF PROPOSED DEVELOPMENT -
7. AREA OF PROPOSED DEVELOPMENT -
8. AREA OF PROPOSED DEVELOPMENT -
9. AREA OF PROPOSED DEVELOPMENT -
10. AREA OF PROPOSED DEVELOPMENT -
11. AREA OF PROPOSED DEVELOPMENT -
12. AREA OF PROPOSED DEVELOPMENT -
13. AREA OF PROPOSED DEVELOPMENT -
14. AREA OF PROPOSED DEVELOPMENT -
15. AREA OF PROPOSED DEVELOPMENT -
16. AREA OF PROPOSED DEVELOPMENT -
17. AREA OF PROPOSED DEVELOPMENT -
18. AREA OF PROPOSED DEVELOPMENT -
19. AREA OF PROPOSED DEVELOPMENT -
20. AREA OF PROPOSED DEVELOPMENT -
21. AREA OF PROPOSED DEVELOPMENT -
22. AREA OF PROPOSED DEVELOPMENT -
23. AREA OF PROPOSED DEVELOPMENT -
24. AREA OF PROPOSED DEVELOPMENT -
25. AREA OF PROPOSED DEVELOPMENT -
26. AREA OF PROPOSED DEVELOPMENT -
27. AREA OF PROPOSED DEVELOPMENT -
28. AREA OF PROPOSED DEVELOPMENT -
29. AREA OF PROPOSED DEVELOPMENT -
30. AREA OF PROPOSED DEVELOPMENT -
31. AREA OF PROPOSED DEVELOPMENT -
32. AREA OF PROPOSED DEVELOPMENT -
33. AREA OF PROPOSED DEVELOPMENT -
34. AREA OF PROPOSED DEVELOPMENT -
35. AREA OF PROPOSED DEVELOPMENT -
36. AREA OF PROPOSED DEVELOPMENT -
37. AREA OF PROPOSED DEVELOPMENT -
38. AREA OF PROPOSED DEVELOPMENT -
39. AREA OF PROPOSED DEVELOPMENT -
40. AREA OF PROPOSED DEVELOPMENT -
41. AREA OF PROPOSED DEVELOPMENT -
42. AREA OF PROPOSED DEVELOPMENT -
43. AREA OF PROPOSED DEVELOPMENT -
44. AREA OF PROPOSED DEVELOPMENT -
45. AREA OF PROPOSED DEVELOPMENT -
46. AREA OF PROPOSED DEVELOPMENT -
47. AREA OF PROPOSED DEVELOPMENT -
48. AREA OF PROPOSED DEVELOPMENT -
49. AREA OF PROPOSED DEVELOPMENT -
50. AREA OF PROPOSED DEVELOPMENT -
51. AREA OF PROPOSED DEVELOPMENT -
52. AREA OF PROPOSED DEVELOPMENT -
53. AREA OF PROPOSED DEVELOPMENT -
54. AREA OF PROPOSED DEVELOPMENT -
55. AREA OF PROPOSED DEVELOPMENT -
56. AREA OF PROPOSED DEVELOPMENT -
57. AREA OF PROPOSED DEVELOPMENT -
58. AREA OF PROPOSED DEVELOPMENT -
59. AREA OF PROPOSED DEVELOPMENT -
60. AREA OF PROPOSED DEVELOPMENT -
61. AREA OF PROPOSED DEVELOPMENT -
62. AREA OF PROPOSED DEVELOPMENT -
63. AREA OF PROPOSED DEVELOPMENT -
64. AREA OF PROPOSED DEVELOPMENT -
65. AREA OF PROPOSED DEVELOPMENT -
66. AREA OF PROPOSED DEVELOPMENT -
67. AREA OF PROPOSED DEVELOPMENT -
68. AREA OF PROPOSED DEVELOPMENT -
69. AREA OF PROPOSED DEVELOPMENT -
70. AREA OF PROPOSED DEVELOPMENT -
71. AREA OF PROPOSED DEVELOPMENT -
72. AREA OF PROPOSED DEVELOPMENT -
73. AREA OF PROPOSED DEVELOPMENT -
74. AREA OF PROPOSED DEVELOPMENT -
75. AREA OF PROPOSED DEVELOPMENT -
76. AREA OF PROPOSED DEVELOPMENT -
77. AREA OF PROPOSED DEVELOPMENT -
78. AREA OF PROPOSED DEVELOPMENT -
79. AREA OF PROPOSED DEVELOPMENT -
80. AREA OF PROPOSED DEVELOPMENT -
81. AREA OF PROPOSED DEVELOPMENT -
82. AREA OF PROPOSED DEVELOPMENT -
83. AREA OF PROPOSED DEVELOPMENT -
84. AREA OF PROPOSED DEVELOPMENT -
85. AREA OF PROPOSED DEVELOPMENT -
86. AREA OF PROPOSED DEVELOPMENT -
87. AREA OF PROPOSED DEVELOPMENT -
88. AREA OF PROPOSED DEVELOPMENT -
89. AREA OF PROPOSED DEVELOPMENT -
90. AREA OF PROPOSED DEVELOPMENT -
91. AREA OF PROPOSED DEVELOPMENT -
92. AREA OF PROPOSED DEVELOPMENT -
93. AREA OF PROPOSED DEVELOPMENT -
94. AREA OF PROPOSED DEVELOPMENT -
95. AREA OF PROPOSED DEVELOPMENT -
96. AREA OF PROPOSED DEVELOPMENT -
97. AREA OF PROPOSED DEVELOPMENT -
98. AREA OF PROPOSED DEVELOPMENT -
99. AREA OF PROPOSED DEVELOPMENT -
100. AREA OF PROPOSED DEVELOPMENT -



**SITE PLAN**  
SCALE- 1:600



**LOCATION PLAN**  
SCALE- 1:4000

BAL MUKUND MAKKAR ROAD

**SCHEDULE OF DOORS & WINDOWS:**

| NO. | TYPE        | SIZE        | NO. | TYPE        | SIZE        |
|-----|-------------|-------------|-----|-------------|-------------|
| 1   | WOODEN DOOR | 2'0" X 6'0" | 1   | WOODEN DOOR | 2'0" X 6'0" |
| 2   | WOODEN DOOR | 2'0" X 6'0" | 2   | WOODEN DOOR | 2'0" X 6'0" |
| 3   | WOODEN DOOR | 2'0" X 6'0" | 3   | WOODEN DOOR | 2'0" X 6'0" |
| 4   | WOODEN DOOR | 2'0" X 6'0" | 4   | WOODEN DOOR | 2'0" X 6'0" |
| 5   | WOODEN DOOR | 2'0" X 6'0" | 5   | WOODEN DOOR | 2'0" X 6'0" |
| 6   | WOODEN DOOR | 2'0" X 6'0" | 6   | WOODEN DOOR | 2'0" X 6'0" |
| 7   | WOODEN DOOR | 2'0" X 6'0" | 7   | WOODEN DOOR | 2'0" X 6'0" |
| 8   | WOODEN DOOR | 2'0" X 6'0" | 8   | WOODEN DOOR | 2'0" X 6'0" |
| 9   | WOODEN DOOR | 2'0" X 6'0" | 9   | WOODEN DOOR | 2'0" X 6'0" |
| 10  | WOODEN DOOR | 2'0" X 6'0" | 10  | WOODEN DOOR | 2'0" X 6'0" |
| 11  | WOODEN DOOR | 2'0" X 6'0" | 11  | WOODEN DOOR | 2'0" X 6'0" |
| 12  | WOODEN DOOR | 2'0" X 6'0" | 12  | WOODEN DOOR | 2'0" X 6'0" |
| 13  | WOODEN DOOR | 2'0" X 6'0" | 13  | WOODEN DOOR | 2'0" X 6'0" |
| 14  | WOODEN DOOR | 2'0" X 6'0" | 14  | WOODEN DOOR | 2'0" X 6'0" |
| 15  | WOODEN DOOR | 2'0" X 6'0" | 15  | WOODEN DOOR | 2'0" X 6'0" |
| 16  | WOODEN DOOR | 2'0" X 6'0" | 16  | WOODEN DOOR | 2'0" X 6'0" |
| 17  | WOODEN DOOR | 2'0" X 6'0" | 17  | WOODEN DOOR | 2'0" X 6'0" |
| 18  | WOODEN DOOR | 2'0" X 6'0" | 18  | WOODEN DOOR | 2'0" X 6'0" |
| 19  | WOODEN DOOR | 2'0" X 6'0" | 19  | WOODEN DOOR | 2'0" X 6'0" |
| 20  | WOODEN DOOR | 2'0" X 6'0" | 20  | WOODEN DOOR | 2'0" X 6'0" |
| 21  | WOODEN DOOR | 2'0" X 6'0" | 21  | WOODEN DOOR | 2'0" X 6'0" |
| 22  | WOODEN DOOR | 2'0" X 6'0" | 22  | WOODEN DOOR | 2'0" X 6'0" |
| 23  | WOODEN DOOR | 2'0" X 6'0" | 23  | WOODEN DOOR | 2'0" X 6'0" |
| 24  | WOODEN DOOR | 2'0" X 6'0" | 24  | WOODEN DOOR | 2'0" X 6'0" |
| 25  | WOODEN DOOR | 2'0" X 6'0" | 25  | WOODEN DOOR | 2'0" X 6'0" |
| 26  | WOODEN DOOR | 2'0" X 6'0" | 26  | WOODEN DOOR | 2'0" X 6'0" |
| 27  | WOODEN DOOR | 2'0" X 6'0" | 27  | WOODEN DOOR | 2'0" X 6'0" |
| 28  | WOODEN DOOR | 2'0" X 6'0" | 28  | WOODEN DOOR | 2'0" X 6'0" |
| 29  | WOODEN DOOR | 2'0" X 6'0" | 29  | WOODEN DOOR | 2'0" X 6'0" |
| 30  | WOODEN DOOR | 2'0" X 6'0" | 30  | WOODEN DOOR | 2'0" X 6'0" |
| 31  | WOODEN DOOR | 2'0" X 6'0" | 31  | WOODEN DOOR | 2'0" X 6'0" |
| 32  | WOODEN DOOR | 2'0" X 6'0" | 32  | WOODEN DOOR | 2'0" X 6'0" |
| 33  | WOODEN DOOR | 2'0" X 6'0" | 33  | WOODEN DOOR | 2'0" X 6'0" |
| 34  | WOODEN DOOR | 2'0" X 6'0" | 34  | WOODEN DOOR | 2'0" X 6'0" |
| 35  | WOODEN DOOR | 2'0" X 6'0" | 35  | WOODEN DOOR | 2'0" X 6'0" |
| 36  | WOODEN DOOR | 2'0" X 6'0" | 36  | WOODEN DOOR | 2'0" X 6'0" |
| 37  | WOODEN DOOR | 2'0" X 6'0" | 37  | WOODEN DOOR | 2'0" X 6'0" |
| 38  | WOODEN DOOR | 2'0" X 6'0" | 38  | WOODEN DOOR | 2'0" X 6'0" |
| 39  | WOODEN DOOR | 2'0" X 6'0" | 39  | WOODEN DOOR | 2'0" X 6'0" |
| 40  | WOODEN DOOR | 2'0" X 6'0" | 40  | WOODEN DOOR | 2'0" X 6'0" |
| 41  | WOODEN DOOR | 2'0" X 6'0" | 41  | WOODEN DOOR | 2'0" X 6'0" |
| 42  | WOODEN DOOR | 2'0" X 6'0" | 42  | WOODEN DOOR | 2'0" X 6'0" |
| 43  | WOODEN DOOR | 2'0" X 6'0" | 43  | WOODEN DOOR | 2'0" X 6'0" |
| 44  | WOODEN DOOR | 2'0" X 6'0" | 44  | WOODEN DOOR | 2'0" X 6'0" |
| 45  | WOODEN DOOR | 2'0" X 6'0" | 45  | WOODEN DOOR | 2'0" X 6'0" |
| 46  | WOODEN DOOR | 2'0" X 6'0" | 46  | WOODEN DOOR | 2'0" X 6'0" |
| 47  | WOODEN DOOR | 2'0" X 6'0" | 47  | WOODEN DOOR | 2'0" X 6'0" |
| 48  | WOODEN DOOR | 2'0" X 6'0" | 48  | WOODEN DOOR | 2'0" X 6'0" |
| 49  | WOODEN DOOR | 2'0" X 6'0" | 49  | WOODEN DOOR | 2'0" X 6'0" |
| 50  | WOODEN DOOR | 2'0" X 6'0" | 50  | WOODEN DOOR | 2'0" X 6'0" |
| 51  | WOODEN DOOR | 2'0" X 6'0" | 51  | WOODEN DOOR | 2'0" X 6'0" |
| 52  | WOODEN DOOR | 2'0" X 6'0" | 52  | WOODEN DOOR | 2'0" X 6'0" |
| 53  | WOODEN DOOR | 2'0" X 6'0" | 53  | WOODEN DOOR | 2'0" X 6'0" |
| 54  | WOODEN DOOR | 2'0" X 6'0" | 54  | WOODEN DOOR | 2'0" X 6'0" |
| 55  | WOODEN DOOR | 2'0" X 6'0" | 55  | WOODEN DOOR | 2'0" X 6'0" |
| 56  | WOODEN DOOR | 2'0" X 6'0" | 56  | WOODEN DOOR | 2'0" X 6'0" |
| 57  | WOODEN DOOR | 2'0" X 6'0" | 57  | WOODEN DOOR | 2'0" X 6'0" |
| 58  | WOODEN DOOR | 2'0" X 6'0" | 58  | WOODEN DOOR | 2'0" X 6'0" |
| 59  | WOODEN DOOR | 2'0" X 6'0" | 59  | WOODEN DOOR | 2'0" X 6'0" |
| 60  | WOODEN DOOR | 2'0" X 6'0" | 60  | WOODEN DOOR | 2'0" X 6'0" |
| 61  | WOODEN DOOR | 2'0" X 6'0" | 61  | WOODEN DOOR | 2'0" X 6'0" |
| 62  | WOODEN DOOR | 2'0" X 6'0" | 62  | WOODEN DOOR | 2'0" X 6'0" |
| 63  | WOODEN DOOR | 2'0" X 6'0" | 63  | WOODEN DOOR | 2'0" X 6'0" |
| 64  | WOODEN DOOR | 2'0" X 6'0" | 64  | WOODEN DOOR | 2'0" X 6'0" |
| 65  | WOODEN DOOR | 2'0" X 6'0" | 65  | WOODEN DOOR | 2'0" X 6'0" |
| 66  | WOODEN DOOR | 2'0" X 6'0" | 66  | WOODEN DOOR | 2'0" X 6'0" |
| 67  | WOODEN DOOR | 2'0" X 6'0" | 67  | WOODEN DOOR | 2'0" X 6'0" |
| 68  | WOODEN DOOR | 2'0" X 6'0" | 68  | WOODEN DOOR | 2'0" X 6'0" |
| 69  | WOODEN DOOR | 2'0" X 6'0" | 69  | WOODEN DOOR | 2'0" X 6'0" |
| 70  | WOODEN DOOR | 2'0" X 6'0" | 70  | WOODEN DOOR | 2'0" X 6'0" |
| 71  | WOODEN DOOR | 2'0" X 6'0" | 71  | WOODEN DOOR | 2'0" X 6'0" |
| 72  | WOODEN DOOR | 2'0" X 6'0" | 72  | WOODEN DOOR | 2'0" X 6'0" |
| 73  | WOODEN DOOR | 2'0" X 6'0" | 73  | WOODEN DOOR | 2'0" X 6'0" |
| 74  | WOODEN DOOR | 2'0" X 6'0" | 74  | WOODEN DOOR | 2'0" X 6'0" |
| 75  | WOODEN DOOR | 2'0" X 6'0" | 75  | WOODEN DOOR | 2'0" X 6'0" |
| 76  | WOODEN DOOR | 2'0" X 6'0" | 76  | WOODEN DOOR | 2'0" X 6'0" |
| 77  | WOODEN DOOR | 2'0" X 6'0" | 77  | WOODEN DOOR | 2'0" X 6'0" |
| 78  | WOODEN DOOR | 2'0" X 6'0" | 78  | WOODEN DOOR | 2'0" X 6'0" |
| 79  | WOODEN DOOR | 2'0" X 6'0" | 79  | WOODEN DOOR | 2'0" X 6'0" |
| 80  | WOODEN DOOR | 2'0" X 6'0" | 80  | WOODEN DOOR | 2'0" X 6'0" |
| 81  | WOODEN DOOR | 2'0" X 6'0" | 81  | WOODEN DOOR | 2'0" X 6'0" |
| 82  | WOODEN DOOR | 2'0" X 6'0" | 82  | WOODEN DOOR | 2'0" X 6'0" |
| 83  | WOODEN DOOR | 2'0" X 6'0" | 83  | WOODEN DOOR | 2'0" X 6'0" |
| 84  | WOODEN DOOR | 2'0" X 6'0" | 84  | WOODEN DOOR | 2'0" X 6'0" |
| 85  | WOODEN DOOR | 2'0" X 6'0" | 85  | WOODEN DOOR | 2'0" X 6'0" |
| 86  | WOODEN DOOR | 2'0" X 6'0" | 86  | WOODEN DOOR | 2'0" X 6'0" |
| 87  | WOODEN DOOR | 2'0" X 6'0" | 87  | WOODEN DOOR | 2'0" X 6'0" |
| 88  | WOODEN DOOR | 2'0" X 6'0" | 88  | WOODEN DOOR | 2'0" X 6'0" |
| 89  | WOODEN DOOR | 2'0" X 6'0" | 89  | WOODEN DOOR | 2'0" X 6'0" |
| 90  | WOODEN DOOR | 2'0" X 6'0" | 90  | WOODEN DOOR | 2'0" X 6'0" |
| 91  | WOODEN DOOR | 2'0" X 6'0" | 91  | WOODEN DOOR | 2'0" X 6'0" |
| 92  | WOODEN DOOR | 2'0" X 6'0" | 92  | WOODEN DOOR | 2'0" X 6'0" |
| 93  | WOODEN DOOR | 2'0" X 6'0" | 93  | WOODEN DOOR | 2'0" X 6'0" |
| 94  | WOODEN DOOR | 2'0" X 6'0" | 94  | WOODEN DOOR | 2'0" X 6'0" |
| 95  | WOODEN DOOR | 2'0" X 6'0" | 95  | WOODEN DOOR | 2'0" X 6'0" |
| 96  | WOODEN DOOR | 2'0" X 6'0" | 96  | WOODEN DOOR | 2'0" X 6'0" |
| 97  | WOODEN DOOR | 2'0" X 6'0" | 97  | WOODEN DOOR | 2'0" X 6'0" |
| 98  | WOODEN DOOR | 2'0" X 6'0" | 98  | WOODEN DOOR | 2'0" X 6'0" |
| 99  | WOODEN DOOR | 2'0" X 6'0" | 99  | WOODEN DOOR | 2'0" X 6'0" |
| 100 | WOODEN DOOR | 2'0" X 6'0" | 100 | WOODEN DOOR | 2'0" X 6'0" |

**NAME OF CONSULTANTS:**

ARCHITECT: BAL MUKUND MAKKAR ROAD

SCALE: 1:11

**1. I DESIGN ARCHITECT AND C&E ENGINEER**

**2. I DESIGN ARCHITECT AND C&E ENGINEER**

**3. I DESIGN ARCHITECT AND C&E ENGINEER**

**4. I DESIGN ARCHITECT AND C&E ENGINEER**

**5. I DESIGN ARCHITECT AND C&E ENGINEER**

**6. I DESIGN ARCHITECT AND C&E ENGINEER**

**7. I DESIGN ARCHITECT AND C&E ENGINEER**

**8. I DESIGN ARCHITECT AND C&E ENGINEER**

**9. I DESIGN ARCHITECT AND C&E ENGINEER**

**10. I DESIGN ARCHITECT AND C&E ENGINEER**

**11. I DESIGN ARCHITECT AND C&E ENGINEER**

**12. I DESIGN ARCHITECT AND C&E ENGINEER**

**13. I DESIGN ARCHITECT AND C&E ENGINEER**