

PROJECT NAME:-
 STRUCTURAL DRAWING OF PROPOSED (G+7) EIGHT STORIED RESIDENTIAL CUM COMMERCIAL BUILDING OF MR NANDA DULAL KONAR C/O AJIT KUMAR KONAR, MRS. SUPARNA KONAR C/O DIRENDRA NATH MONDAL, MRS MITA KONAR C/O SUNIL KUMAR CHOUDHURY, OVER R.S. PLOT NO-2684, 2691, 2692,2693, L.R. PLOT NO- 2684, 2691, 2692,2693, L.R. KHATIAN NO-14149,867,14035, J.L. NO-86, MOUZA-KANKSA, P.S-KANKSA, DIST-PASCHIM BARDHAMAN, WEST BENGAL.

- NOTES:-**
- (±) 0.00 m LEVEL REFERS TO E.G.L.
 - UNLESS OTHERWISE STATED ALL CONSTRUCTION ACTIVITIES SHALL BE CARRIED OUT CONFORMING TO RELEVANT INDIAN STANDARD CODES OF PRACTICE.
 - ALL DIMENSIONS ARE IN MILLIMETERS & LEVELS ARE IN METER. EXCEPT OTHERWISE MENTIONED. ONLY WRITTEN DIMENSIONS SHALL BE FOLLOWED, ALL LEVELS GIVEN IN STRUCTURAL DRAWINGS ARE IN ACCORDANCE WITH ARCHITECTURAL DRAWINGS AND INDICATE STRUCTURAL LEVEL ONLY (WITHOUT FINISH). HOWEVER ARCHITECTURAL DRAWING TO BE COORDINATED FOR ALL LEVELS.
 - ALL STRUCTURAL DRAWINGS SHALL BE READ ALONG WITH THIS DRAWING AS WELL AS RELEVANT ARCHITECTURAL DRAWINGS.
 - ANY DISCREPANCY IN THE STRUCTURAL AND ARCHITECTURAL DRAWINGS SHALL BE BROUGHT TO THE NOTICE OF STRUCTURAL CONSULTANT BEFORE EXECUTION OF WORK.
 - UNLESS OTHERWISE SPECIFIED ALL REINFORCEMENT TO BE USED TMT. BARS OF GRADE Fe-500/500 D CONFORMING TO IS-1786-2008.
 - ADEQUATE CHAIR BARS TO BE PROVIDED TO KEEP THE TOP REINFORCEMENT IN PROPER POSITION.
 - UNLESS OTHERWISE STATED LAP LENGTH OF BARS SHALL BE DEVELOPMENT LENGTH=50xDIA OF BAR.
 - UNLESS OTHERWISE SPECIFIED DISTRIBUTION REINFORCEMENT SHALL BE 8 T @ 150 C/C
 - CONCRETE COVER TO MAIN REINFORCEMENT SHALL BE AS FOLLOWS:- a)Beam:-25mm, b)Column:-40mm,c) Slab:-15mm, d)FOUNDATION:-50mm, e)R.C.Wall-20mm, f) Stair:- 20mm.
 - GRADE OF CONCRETE WILL BE M30 FOR FOUNDATION AND COLUMN. M25 FOR BEAM AND SUB STRUCTURE AS PER IS: 456:2000.
 - DEVELOPMENT LENGTH 50XD FOR LAP & SPICES SHOULD BE PROVIDED AS PER THE PROVISIONS LAID DOWN IN SP34:1987

SIGNATURE OF DEVELOPER/OWNER:-

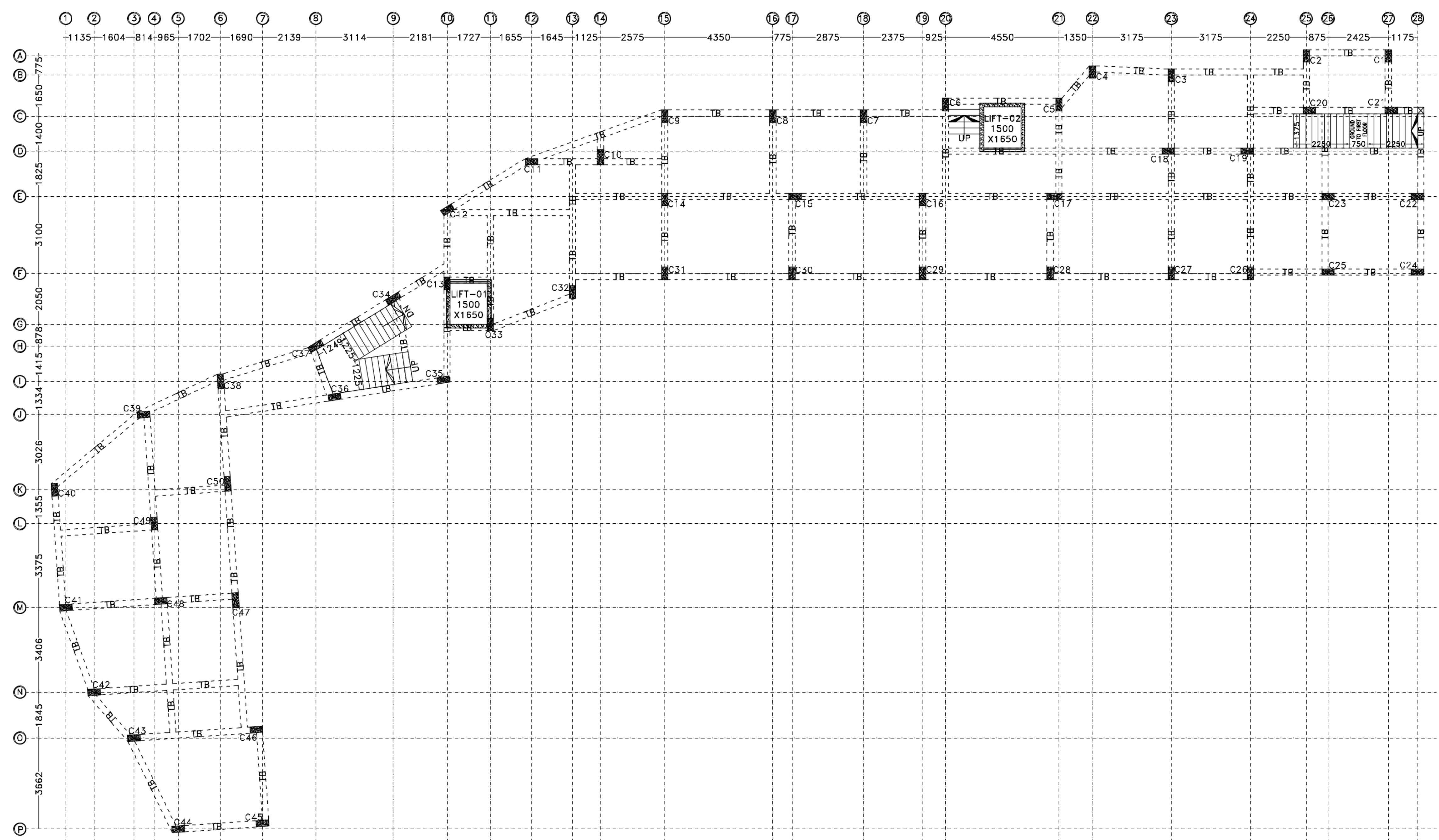
SKYLANE INFRA
Subhojit Das
 Partner

SKYLANE INFRA
Tuhin Singha
 Partner

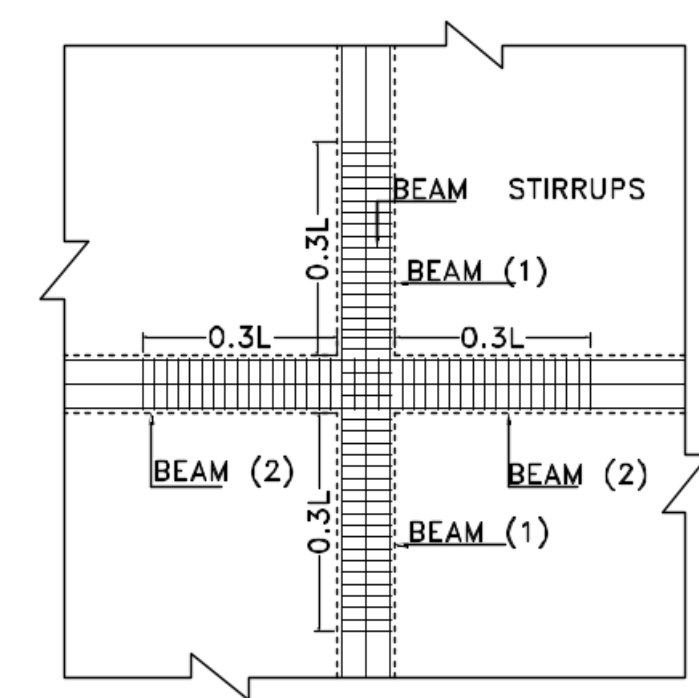
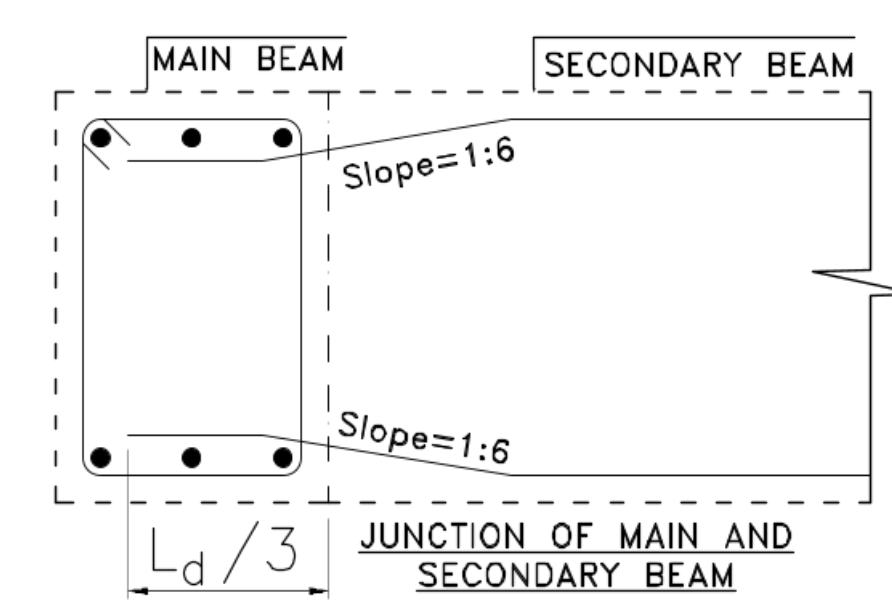
Approved Plan No. 59 on Meeting No 08/2025-26 Date: 28/11/2025 Valid upto 28/11/2028
A. Saha
 Pradhan
 Kanksa Gram Panchayat

VITTED BY:-

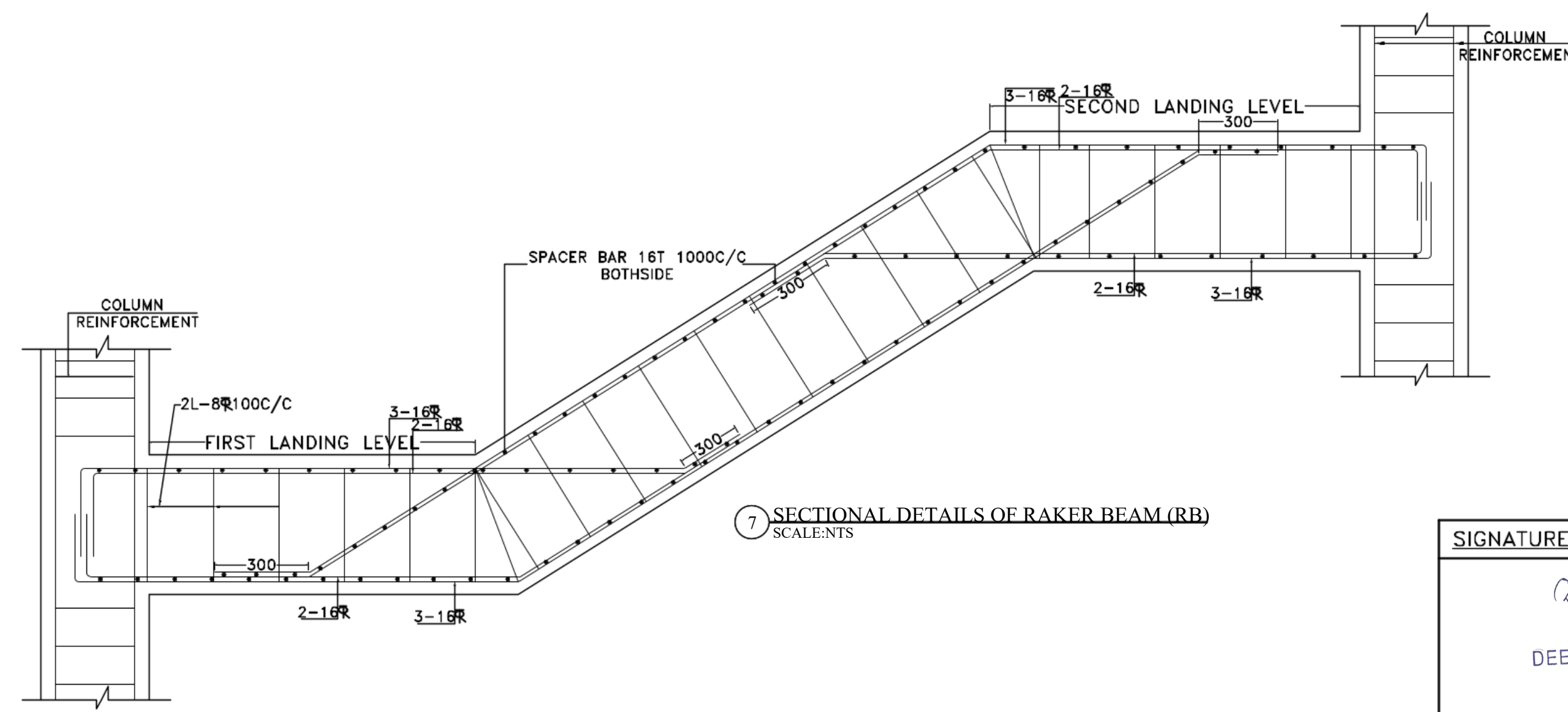
S. N. Mukherjee
 DR. S. N. MUKHERJEE
 Professor
 CIVIL ENGINEERING DEPT
 JADAVPUR UNIVERSITY
 KOLKATA-700032, (W)



3 TIE BEAM LAYOUT PLAN.
 SCALE: 1:100



9 DETAILS OF CROSS BEAM JUNCTION
 SCALE: 1:50



SIGNATURE OF ARCHITECT:- <i>Deep Mukhopadhyay</i> DEEP MUKHOPADHYAY ARCHITECT CA/2019/14442 DURGAPUR-16	SIGNATURE OF STRUCTURAL ENGINEER:- <i>Hirak Ghosh</i> HIRAK GHOSH Structural Engineer Lic No. 26767/AMC-DMC/BPD/165 DCE, B TECH (I), D S Durgapur-16 Contact No. 762894157	SIGNATURE OF GEO TECHNICAL ENGINEER:- <i>S. N. Mukherjee</i> SWADESH KUMAR MONDAL Geo. Technical Engineer M.I.G.S No-LMT242 LIC NO-DMC/BPD/GEO-1/34	TITLE:- TIE BEAM LAYOUT PLAN.
SCALE:- 1:100, 1:50, 1:25, N.T.S			
REV-00			
SHEET NO:- APP/STRUCTURE:-03-05			