

- NOTES:-**
- ALL DIMENSIONS ARE IN MM. UNLESS OTHERWISE MENTIONED.
 - SUPER STRUCTURE : SUPER STRUCTURE SHALL BE OF 1ST CLASS BRICK WITH 1:6 CEMENT MORTAR.
 - GRADE OF CONC. M-25, OTHERWISE MENTIONED.
 - ALL MATERIALS SHALL CONFORM TO RELEVANT IS CODES.
 - FOR STEEL GRADE Fe 500 AS PER I.S 1786-2008
 - LAPS, SPLICES & BOND LENGTH SHOULD BE 50 D WHERE 'D' IS THE SMALLEST BAR DIA.
 - ALL DISTRIBUTION BARS ARE 8 TOR @ 200 C/C AND TO BE PROVIDED WHEREVER REQUIRED
 - ALL SPACER BARS ARE 25 TOR @ 1000 C/C AND TO BE PROVIDED WHEREVER REQUIRED
 - MINIMUM CLEAR COVER TO MAIN REINFORCEMENT IS AS FOLLOWS:
- | MEMBER | TOP | BOTTOM | SIDE |
|-----------|-----|--------|------|
| a. BEAM | 30 | 30 | 30 |
| b. COLUMN | — | — | 40 |
| c. SLAB | 25 | 25 | 25 |
| d. FDN | 50 | 75 | 50 |

Space for office use:

THIS IS TO CERTIFY THAT I SHALL NOT ON A LATER DATE, MAKE ANY ADDITION OR ALTERATION TO THIS PLAN. THIS IS CERTIFIED THAT I HAVE GONE THROUGH THE NBC OF INDIA AND ALSO ABIDE BY THOSE RULES DURING AND LATER CONSTRUCTION OF BUILDING FOR ANY KIND OF ADDITION OR ALTERATION FROM THIS PLAN. CONCERNED ENGINEERS SHALL NOT BE RESPONSIBLE.

SIGNATURE OF THE OWNER

SIGNATURE OF ARCHITECT/C.E.S

THE STRUCTURAL DESIGN AND DRAWING OF BOTH FOUNDATION AND SUPERSTRUCTURE OF THE BUILDING HAS BEEN DESIGNED BY ME, CONSIDERING ALL POSSIBLE LOADS INCLUDING THE SEISMIC LOAD AS PER THE NATIONAL BUILDING CODE OF INDIA AND CERTIFIED THAT IT IS SAFE AND STABLE IN ALL RESPECTS. IT IS CONSTRUCTED BASED ON THE SITE CONDITIONS AND FOR THE PURPOSE OF ITS INTENDED USE FOR WHICH IT HAS BEEN DESIGNED.

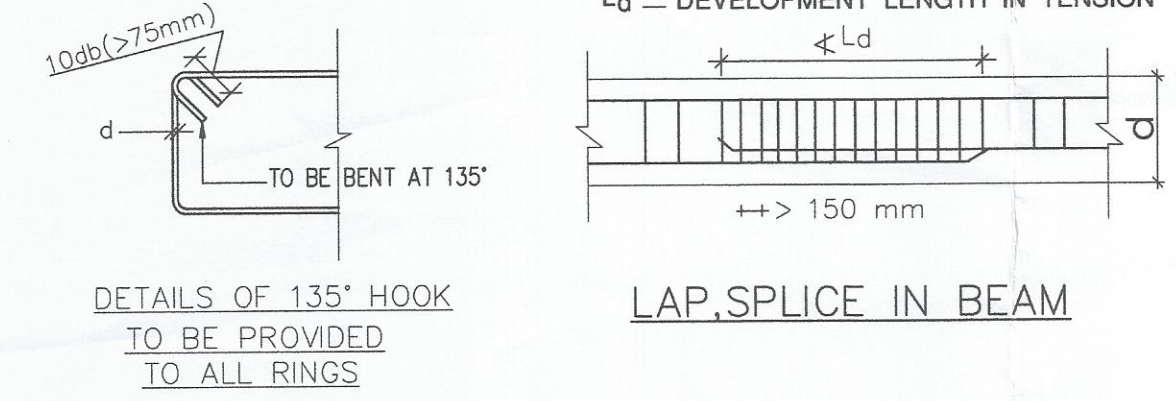
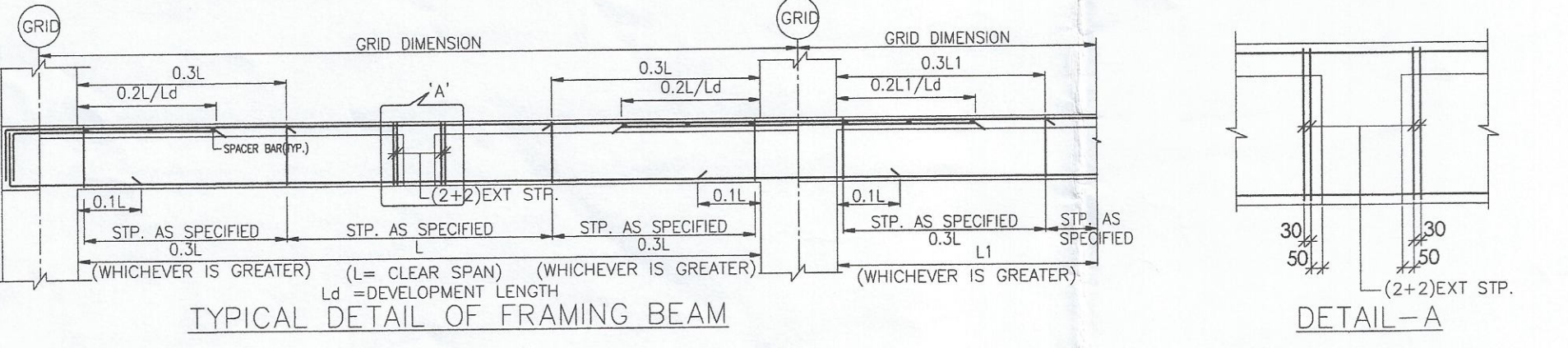
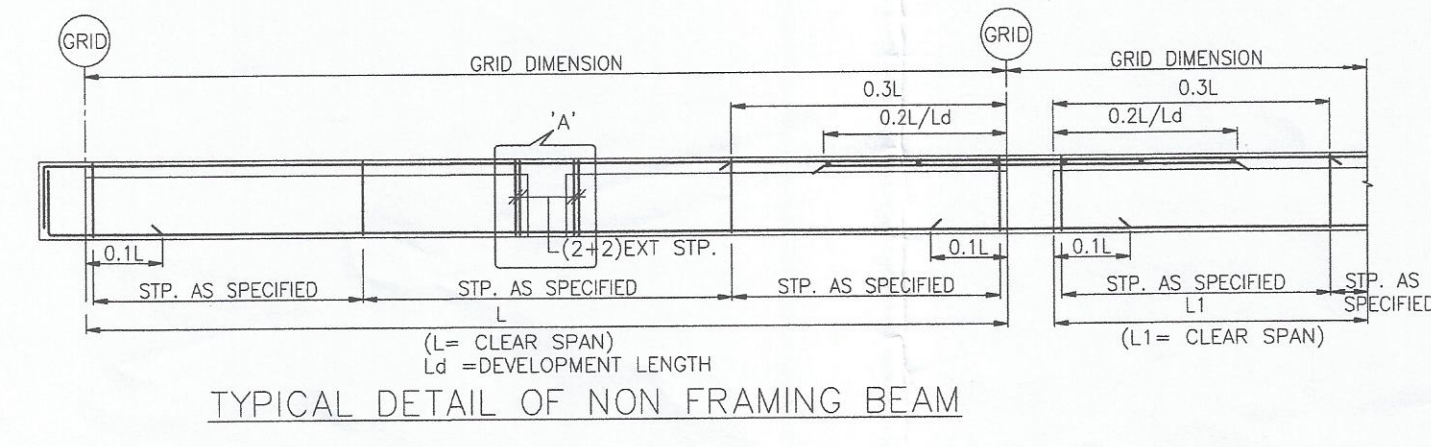
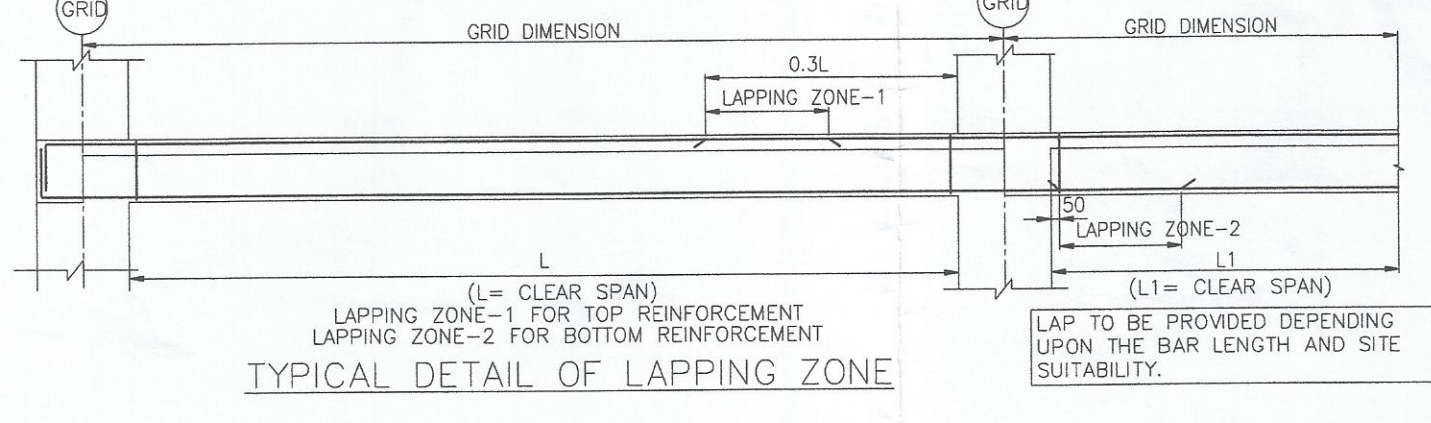
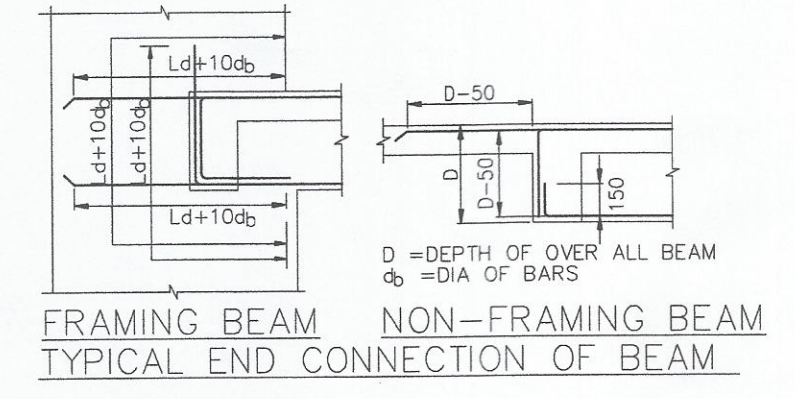
SIGNATURE OF STRUCTURAL ENGINEER

Civil & Structural Consultants:
M/S. SDN CONSULTANT
 Civil & Structural Engineers
 26/3/1A Surya Sen Street,
 Kolkata-700008
 Ph.no.-9123025265
 E-MAIL: sdncon2024@gmail.com

PROJECT :
 PROPOSED SIX (6+G+5) STORIED RESIDENTIAL APARTMENT OF SRI. ANAND PANDEY, S/O-LATE NARENDRA NATH PANDEY OVER R.S PLOT NO:- 195 /340, L.R.PLOT NO.-511, L.R KHATIAN NO.- 13294 J.L. NO - 37, OF MOUZA - BENAGORIA, P.S.- SALTANPUR, DIST. - PASCHIM BARDHAMAN UNDER RUPNARAYAN GRAM PANCHAYAT, WEST BENGAL.

TITLE: BEAM G.A & R.C.C DETAIL
 DRAWN BY: SUDIPTA DATE: 15.01.2026 SHEET NO. - 0101
 CHECKED BY: DEBOJYOTI SCALE: 1:100, 20, 30 REVISION - 00
 JOB NO. - 193/12-2025
 DRG. NO. - SDN/STR/193/ANAND_KUMAR/12-2025
 STATUS: INFORMATION APPROVAL SUBMISSION

- NOTES FOR BEAM:-**
- REINF. IS FE-500 GRADE (WITH MIN. ELONGATION 14.5%)
 - UNLESS OTHERWISE SPECIFIED LAP LENGTH OF BARS SHALL BE NOT LESS THAN DEVELOPMENT LENGTH (Ld) Ld=50d
 - GRADE OF CONCRETE M25 UNLESS OTHERWISE SPECIFIED.
 - CLEAR COVER OF BEAM 30 MM. FROM MAIN & SECONDARY REINF.
 - 20T @ 600 C/C FOR ALL SPACER BAR.



AT.dwg