

G.A OF GROUND FLOOR BEAM LAYOUT
SCALE-1:100

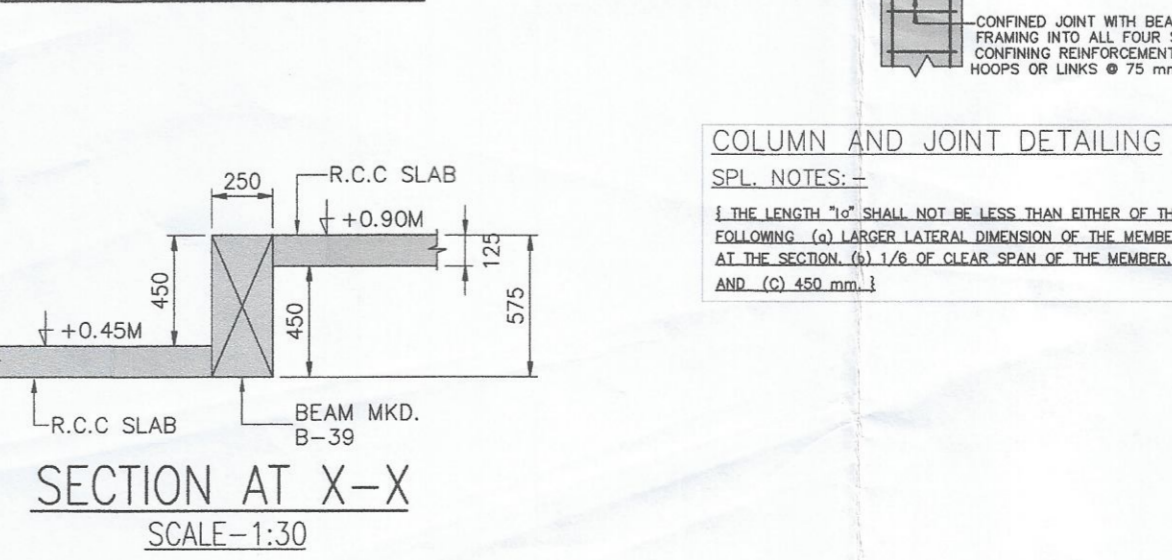
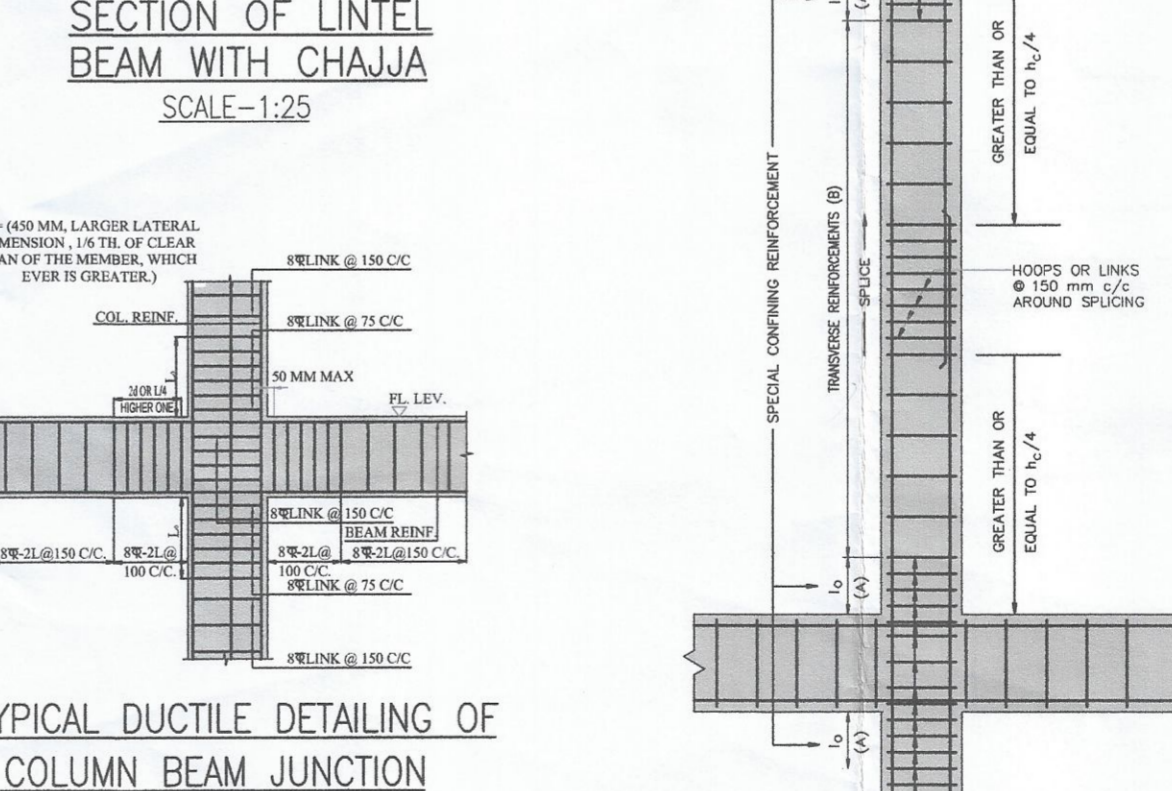
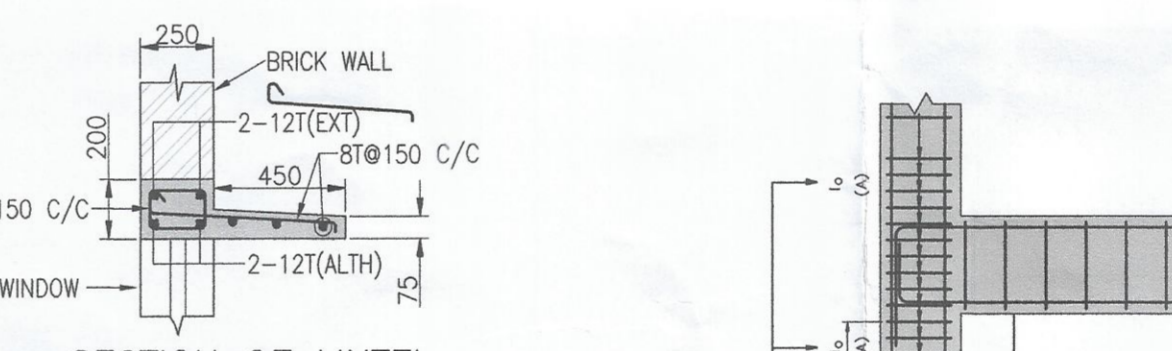
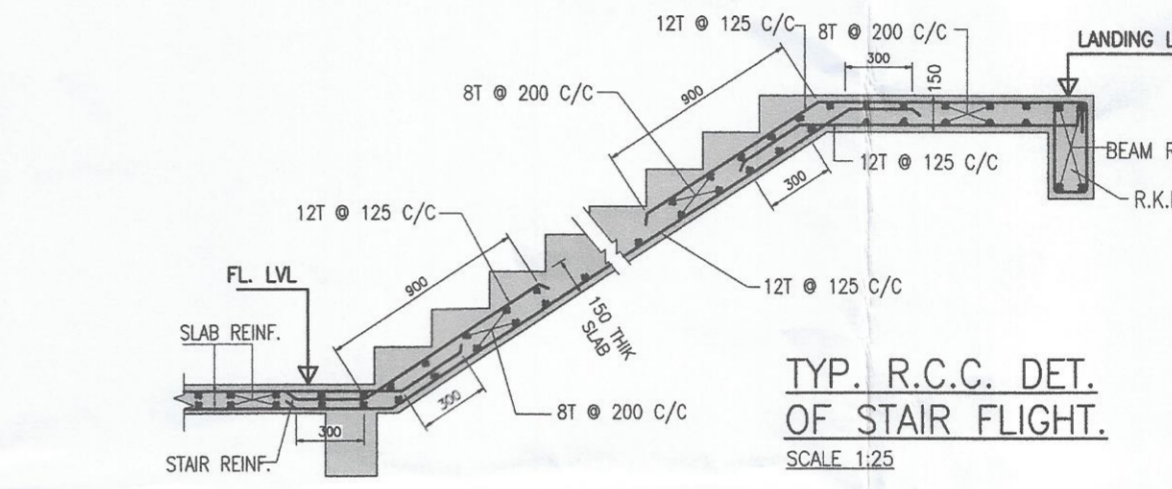
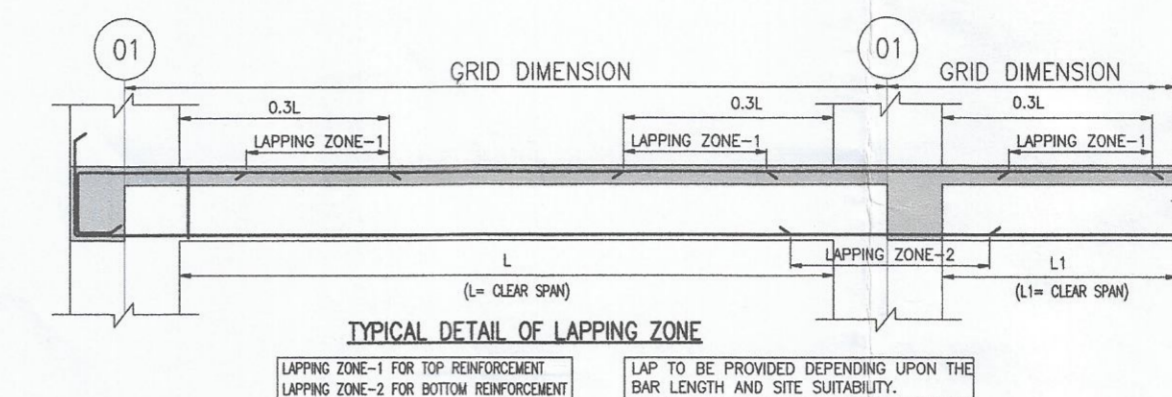
SCHEDULE OF FLOOR BEAM:
(GRADE OF CONCRETE : M25 & GRADE OF STEEL : Fe500)

BEAM MKD.	BEAM SIZE	MAIN REINFORCEMENT						STIRRUPS	
		TOP			BOTTOM			SUPPORT	SPAN
		LEFT	MID	RIGHT	LEFT	MID	RIGHT		
B-1	250X500	3-16 ⁺ 3-20 ⁺	2-16 ⁺	3-16 ⁺ 3-20 ⁺	3-16 ⁺ 3-20 ⁺	3-16 ⁺ 3-20 ⁺	3-16 ⁺ 3-20 ⁺	8 ϕ -2L @ 100 C/C	8 ϕ -2L @ 150 C/C
B-1A	250X500	3-16 ⁺ 3-20 ⁺	3-16 ⁺ 3-20 ⁺	3-16 ⁺ 3-20 ⁺	3-16 ⁺ 3-20 ⁺	3-16 ⁺ 3-20 ⁺	3-16 ⁺ 3-20 ⁺	10 ϕ -2L @ 100 C/C	10 ϕ -2L @ 100 C/C
B-2	250X450	3-16 ⁺ 3-20 ⁺	2-16 ⁺	3-16 ⁺ 3-20 ⁺	3-16 ⁺ 3-20 ⁺	3-16 ⁺ 3-20 ⁺	3-16 ⁺ 3-20 ⁺	8 ϕ -2L @ 100 C/C	8 ϕ -2L @ 150 C/C
B-3	250X450	3-16 ⁺ 3-20 ⁺	2-16 ⁺	3-16 ⁺ 3-20 ⁺	3-16 ⁺ 3-20 ⁺	3-16 ⁺ 3-20 ⁺	3-16 ⁺ 3-20 ⁺	8 ϕ -2L @ 100 C/C	8 ϕ -2L @ 150 C/C
B-3A	250X500	3-16 ⁺ 3-20 ⁺	3-16 ⁺ 3-20 ⁺	3-16 ⁺ 3-20 ⁺	3-16 ⁺ 3-20 ⁺	3-16 ⁺ 3-20 ⁺	3-16 ⁺ 3-20 ⁺	10 ϕ -2L @ 100 C/C	10 ϕ -2L @ 100 C/C
B-4	250X450	3-16 ⁺ 3-20 ⁺	2-16 ⁺	3-16 ⁺ 3-20 ⁺	3-16 ⁺ 3-20 ⁺	3-16 ⁺ 3-20 ⁺	3-16 ⁺ 3-20 ⁺	8 ϕ -2L @ 100 C/C	8 ϕ -2L @ 150 C/C
B-5	250X450	3-16 ⁺ 3-20 ⁺	2-16 ⁺	3-16 ⁺ 3-20 ⁺	3-16 ⁺ 3-20 ⁺	3-16 ⁺ 3-20 ⁺	3-16 ⁺ 3-20 ⁺	8 ϕ -2L @ 100 C/C	8 ϕ -2L @ 100 C/C
B-6	250X500	3-20 ⁺ 2-20 ⁺	2-20 ⁺	3-20 ⁺ 2-20 ⁺	3-20 ⁺ 2-20 ⁺	3-20 ⁺ 2-20 ⁺	3-20 ⁺ 2-20 ⁺	8 ϕ -2L @ 100 C/C	8 ϕ -2L @ 100 C/C
B-7	250X500	3-20 ⁺ 2-20 ⁺	2-20 ⁺	3-20 ⁺ 2-20 ⁺	3-20 ⁺ 2-20 ⁺	3-20 ⁺ 2-20 ⁺	3-20 ⁺ 2-20 ⁺	10 ϕ -2L @ 100 C/C	10 ϕ -2L @ 100 C/C
B-7A	250X500	3-20 ⁺ 2-20 ⁺	3-20 ⁺ 2-20 ⁺	3-20 ⁺ 2-20 ⁺	3-20 ⁺ 2-20 ⁺	3-20 ⁺ 2-20 ⁺	3-20 ⁺ 2-20 ⁺	10 ϕ -2L @ 100 C/C	10 ϕ -2L @ 100 C/C
B-8	250X450	2-20 ⁺	2-20 ⁺	3-20 ⁺ 2-20 ⁺	3-20 ⁺ 2-20 ⁺	3-20 ⁺ 2-20 ⁺	3-20 ⁺ 2-20 ⁺	10 ϕ -2L @ 100 C/C	10 ϕ -2L @ 100 C/C
B-9	250X450	2-16 ⁺	2-16 ⁺	3-16 ⁺ 2-20 ⁺	3-20 ⁺ 2-20 ⁺	3-20 ⁺ 2-20 ⁺	3-20 ⁺ 2-20 ⁺	8 ϕ -2L @ 100 C/C	8 ϕ -2L @ 150 C/C
B-10	250X350	3-12 ⁺	3-12 ⁺	3-12 ⁺	3-12 ⁺	3-12 ⁺	3-12 ⁺	8 ϕ -2L @ 150 C/C	8 ϕ -2L @ 150 C/C
B-11	250X500	3-20 ⁺ 3-20 ⁺	2-20 ⁺	3-20 ⁺ 3-20 ⁺	3-20 ⁺ 3-20 ⁺	3-20 ⁺ 3-20 ⁺	3-20 ⁺ 3-20 ⁺	10 ϕ -2L @ 100 C/C	10 ϕ -2L @ 100 C/C
B-11A	250X500	3-20 ⁺ 3-20 ⁺	2-20 ⁺	3-20 ⁺ 3-20 ⁺	3-20 ⁺ 3-20 ⁺	3-20 ⁺ 3-20 ⁺	3-20 ⁺ 3-20 ⁺	10 ϕ -2L @ 100 C/C	10 ϕ -2L @ 100 C/C
B-12	250X450	3-20 ⁺ 2-20 ⁺	2-20 ⁺	3-20 ⁺ 2-20 ⁺	3-20 ⁺ 2-20 ⁺	3-20 ⁺ 2-20 ⁺	3-20 ⁺ 2-20 ⁺	8 ϕ -2L @ 100 C/C	8 ϕ -2L @ 150 C/C
B-13	250X450	3-20 ⁺ 2-20 ⁺	2-20 ⁺	3-20 ⁺ 2-20 ⁺	3-20 ⁺ 2-20 ⁺	3-20 ⁺ 2-20 ⁺	3-20 ⁺ 2-20 ⁺	8 ϕ -2L @ 100 C/C	8 ϕ -2L @ 150 C/C
B-14	250X450	3-20 ⁺ 2-20 ⁺	2-20 ⁺	3-20 ⁺ 2-20 ⁺	3-20 ⁺ 2-20 ⁺	3-20 ⁺ 2-20 ⁺	3-20 ⁺ 2-20 ⁺	8 ϕ -2L @ 100 C/C	8 ϕ -2L @ 100 C/C
B-15	250X450	3-20 ⁺ 2-20 ⁺	2-20 ⁺	3-20 ⁺ 2-20 ⁺	3-20 ⁺ 2-20 ⁺	3-20 ⁺ 2-20 ⁺	3-20 ⁺ 2-20 ⁺	8 ϕ -2L @ 100 C/C	8 ϕ -2L @ 150 C/C
B-15A	250X450	3-20 ⁺ 2-20 ⁺	3-20 ⁺ 2-20 ⁺	3-20 ⁺ 2-20 ⁺	3-20 ⁺ 2-20 ⁺	3-20 ⁺ 2-20 ⁺	3-20 ⁺ 2-20 ⁺	8 ϕ -2L @ 100 C/C	8 ϕ -2L @ 100 C/C
B-16	250X450	3-16 ⁺ 2-16 ⁺	2-16 ⁺	3-16 ⁺ 2-16 ⁺	3-16 ⁺ 2-16 ⁺	3-16 ⁺ 2-16 ⁺	3-16 ⁺ 2-16 ⁺	8 ϕ -2L @ 100 C/C	8 ϕ -2L @ 150 C/C
B-17	250X450	3-16 ⁺ 2-16 ⁺	2-16 ⁺	3-16 ⁺ 2-16 ⁺	3-16 ⁺ 2-16 ⁺	3-16 ⁺ 2-16 ⁺	3-16 ⁺ 2-16 ⁺	8 ϕ -2L @ 100 C/C	8 ϕ -2L @ 150 C/C
B-18	250X450	3-16 ⁺ 2-16 ⁺	2-16 ⁺	3-16 ⁺ 2-20 ⁺	3-16 ⁺ 2-20 ⁺	3-16 ⁺ 2-20 ⁺	3-16 ⁺ 2-20 ⁺	8 ϕ -2L @ 100 C/C	8 ϕ -2L @ 150 C/C
B-19	250X450	3-16 ⁺ 2-20 ⁺	2-16 ⁺	3-16 ⁺ 2-20 ⁺	3-16 ⁺ 2-20 ⁺	3-16 ⁺ 2-20 ⁺	3-16 ⁺ 2-20 ⁺	8 ϕ -2L @ 100 C/C	8 ϕ -2L @ 100 C/C
B-20	250X450	3-16 ⁺ 2-20 ⁺	2-16 ⁺	3-16 ⁺ 2-20 ⁺	3-16 ⁺ 2-20 ⁺	3-16 ⁺ 2-20 ⁺	3-16 ⁺ 2-20 ⁺	8 ϕ -2L @ 100 C/C	8 ϕ -2L @ 150 C/C
B-20A	250X450	3-20 ⁺ 2-16 ⁺	2-20 ⁺	3-20 ⁺ 2-16 ⁺	3-16 ⁺ 2-20 ⁺	3-16 ⁺ 2-20 ⁺	3-16 ⁺ 2-20 ⁺	8 ϕ -2L @ 100 C/C	8 ϕ -2L @ 100 C/C
B-21	250X450	3-20 ⁺ 2-16 ⁺	2-20 ⁺	3-20 ⁺ 2-16 ⁺	3-16 ⁺ 2-20 ⁺	3-16 ⁺ 2-20 ⁺	3-16 ⁺ 2-20 ⁺	8 ϕ -2L @ 100 C/C	8 ϕ -2L @ 100 C/C
B-22	250X500	3-20 ⁺ 2-16 ⁺	2-16 ⁺	3-20 ⁺ 2-16 ⁺	3-20 ⁺ 2-16 ⁺	3-20 ⁺ 2-16 ⁺	3-20 ⁺ 2-16 ⁺	8 ϕ -2L @ 100 C/C	8 ϕ -2L @ 100 C/C
B-23	250X450	3-20 ⁺ 2-16 ⁺	2-20 ⁺	3-20 ⁺ 2-16 ⁺	3-16 ⁺ 2-20 ⁺	3-16 ⁺ 2-20 ⁺	3-16 ⁺ 2-20 ⁺	8 ϕ -2L @ 100 C/C	8 ϕ -2L @ 100 C/C
B-24	250X450	3-20 ⁺	3-20 ⁺	3-20 ⁺	3-16 ⁺ 2-20 ⁺	3-16 ⁺ 2-20 ⁺	3-16 ⁺ 2-20 ⁺	8 ϕ -2L @ 100 C/C	8 ϕ -2L @ 100 C/C
B-25	250X450	3-20 ⁺ 2-20 ⁺	2-20 ⁺	3-20 ⁺ 2-20 ⁺	3-16 ⁺ 2-20 ⁺	3-16 ⁺ 2-20 ⁺	3-16 ⁺ 2-20 ⁺	8 ϕ -2L @ 100 C/C	8 ϕ -2L @ 100 C/C
B-26	250X450	3-16 ⁺ 2-20 ⁺	2-16 ⁺	2-16 ⁺	3-16 ⁺ 2-20 ⁺	3-16 ⁺ 2-20 ⁺	3-16 ⁺ 2-20 ⁺	8 ϕ -2L @ 100 C/C	8 ϕ -2L @ 150 C/C
B-27	250X450	3-20 ⁺ 2-16 ⁺	2-20 ⁺	3-20 ⁺ 2-16 ⁺	3-20 ⁺ 2-16 ⁺	3-20 ⁺ 2-16 ⁺	3-20 ⁺ 2-16 ⁺	8 ϕ -2L @ 100 C/C	8 ϕ -2L @ 150 C/C
B-28	250X450	3-20 ⁺	3-20 ⁺	3-20 ⁺	3-20 ⁺	3-20 ⁺	3-20 ⁺	8 ϕ -2L @ 100 C/C	8 ϕ -2L @ 150 C/C
B-28A	250X450	3-20 ⁺ 2-16 ⁺	3-20 ⁺	3-20 ⁺ 2-16 ⁺	3-20 ⁺	3-20 ⁺	3-20 ⁺	8 ϕ -2L @ 100 C/C	8 ϕ -2L @ 100 C/C
B-29	250X450	3-16 ⁺	3-16 ⁺	3-16 ⁺	3-16 ⁺	3-16 ⁺	3-16 ⁺	8 ϕ -2L @ 100 C/C	8 ϕ -2L @ 100 C/C
B-30	250X450	2-16 ⁺	2-16 ⁺	2-16 ⁺	2-16 ⁺	3-16 ⁺ 2-20 ⁺	2-16 ⁺	8 ϕ -2L @ 100 C/C	8 ϕ -2L @ 150 C/C
B-31	250X450	3-16 ⁺	3-16 ⁺	3-16 ⁺	3-20 ⁺	3-20 ⁺	3-20 ⁺	8 ϕ -2L @ 100 C/C	8 ϕ -2L @ 100 C/C
B-32	250X450	2-16 ⁺	2-16 ⁺	4-16 ⁺	2-16 ⁺	3-16 ⁺ 2-20 ⁺	2-16 ⁺	8 ϕ -2L @ 100 C/C	8 ϕ -2L @ 100 C/C
B-33	250X450	4-16 ⁺	2-16 ⁺	2-16 ⁺	2-16 ⁺	4-16 ⁺	2-16 ⁺	8 ϕ -2L @ 100 C/C	8 ϕ -2L @ 100 C/C
B-34	250X450	2-16 ⁺	2-16 ⁺	2-16 ⁺	2-16 ⁺	2-16 ⁺	2-16 ⁺	8 ϕ -2L @ 100 C/C	8 ϕ -2L @ 150 C/C
B-35	250X450	3-16 ⁺	3-16 ⁺	3-16 ⁺	2-16 ⁺	3-16 ⁺	2-16 ⁺	8 ϕ -2L @ 100 C/C	8 ϕ -2L @ 150 C/C
B-35A	250X450	3-16 ⁺	3-16 ⁺	3-16 ⁺	2-16 ⁺	2-16 ⁺	2-16 ⁺	8 ϕ -2L @ 100 C/C	8 ϕ -2L @ 100 C/C
B-35B	250X450	3-16 ⁺	3-16 ⁺	3-16 ⁺ 2-16 ⁺	2-16 ⁺	3-16 ⁺ 2-16 ⁺	2-16 ⁺	8 ϕ -2L @ 100 C/C	8 ϕ -2L @ 100 C/C
B-36	250X450	4-16 ⁺	2-16 ⁺	2-16 ⁺	2-16 ⁺	4-16 ⁺	2-16 ⁺	8 ϕ -2L @ 100 C/C	8 ϕ -2L @ 150 C/C
B-37	250X450	3-20 ⁺ 2-20 ⁺	2-20 ⁺	2-20 ⁺	3-20 ⁺	3-20 ⁺	3-20 ⁺	8 ϕ -2L @ 100 C/C	8 ϕ -2L @ 150 C/C
B-38	250X575	3-20 ⁺ 3-20 ⁺	2-20 ⁺	3-20 ⁺ 3-20 ⁺	3-20 ⁺	3-20 ⁺	3-20 ⁺	8 ϕ -2L @ 100 C/C	8 ϕ -2L @ 100 C/C
B-39	250X575	3-20 ⁺ 2-20 ⁺	2-20 ⁺	3-20 ⁺ 2-20 ⁺	3-20 ⁺	3-20 ⁺	3-20 ⁺	8 ϕ -2L @ 100 C/C	8 ϕ -2L @ 150 C/C
B-40	250X575	2-16 ⁺	2-16 ⁺	3-16 ⁺ 2-20 ⁺	3-20 ⁺	3-20 ⁺	3-20 ⁺	8 ϕ -2L @ 100 C/C	8 ϕ -2L @ 150 C/C
C.B-1	600X175	6-16 ⁺	6-16 ⁺	6-16 ⁺	6-16 ⁺	6-16 ⁺	6-16 ⁺	8 ϕ -4L @ 100 C/C	8 ϕ -4L @ 150 C/C
MLB-1	250X450	3-20 ⁺	3-20 ⁺	3-20 ⁺	3-20 ⁺	3-20 ⁺	3-20 ⁺	8 ϕ -2L @ 100 C/C	8 ϕ -2L @ 100 C/C
MLB-2	250X450	3-20 ⁺ 2-16 ⁺	3-20 ⁺ 2-16 ⁺	3-20 ⁺ 2-16 ⁺	3-16 ⁺ 2-20 ⁺	3-16 ⁺ 2-20 ⁺	3-16 ⁺ 2-20 ⁺	8 ϕ -2L @ 100 C/C	8 ϕ -2L @ 100 C/C

SCHEDULE OF FLOOR SLAB:
(GRADE OF CONCRETE : M25 & GRADE OF STEEL : Fe500)

SLAB MKD.	SLAB THICKNESS (MM)	REINFORCEMENT			
		SHORTER SPAN		LONGER SPAN	
		SUPPORT (TOP)	SPAN (BOTTOM)	SUPPORT (TOP)	SPAN (BOTTOM)
S1	125	8 ϕ @ 150 C/C	8 ϕ @ 150 C/C	8 ϕ @ 200 C/C	8 ϕ @ 150 C/C
S2	125	8 ϕ @ 125 C/C	8 ϕ @ 150 C/C	8 ϕ @ 150 C/C	8 ϕ @ 150 C/C
S3	125	8 ϕ @ 150 C/C	8 ϕ @ 150 C/C	8 ϕ @ 150 C/C	8 ϕ @ 150 C/C
S4	125	8 ϕ @ 150 C/C	8 ϕ @ 150 C/C	8 ϕ @ 200 C/C	8 ϕ @ 150 C/C
S5	125	8 ϕ @ 125 C/C	8 ϕ @ 150 C/C	8 ϕ @ 125 C/C	8 ϕ @ 150 C/C
S6	125	8 ϕ @ 200 C/C	8 ϕ @ 150 C/C	8 ϕ @ 200 C/C	8 ϕ @ 150 C/C
S7	175	8 ϕ @ 150 C/C	8 ϕ @ 150 C/C	8 ϕ @ 150 C/C	8 ϕ @ 200 C/C
S8	175	8 ϕ @ 150 C/C	8 ϕ @ 150 C/C	8 ϕ @ 150 C/C	8 ϕ @ 150 C/C
S9	150	8 ϕ @ 100 C/C	8 ϕ @ 150 C/C	8 ϕ @ 200 C/C	8 ϕ @ 200 C/C
STAIR	150	12 ϕ @ 125 C/C (MAIN) WITH 8 ϕ @ 200 C/C (DIST.)			

PROVIDE 10 ϕ @ 200 C/C DISTRIBUTOR BAR WHERE EVER REQUIRED



- NOTES:-
- ALL DIMENSIONS ARE IN MM. UNLESS OTHERWISE MENTIONED.
 - SUPER STRUCTURE : SUPER STRUCTURE SHALL BE OF 1ST CLASS BRICK WITH 1:6 CEMENT MORTAR.
 - GRADE OF CONC. M-25, OTHERWISE MENTIONED
 - ALL MATERIALS SHALL CONFORM TO RELEVANT I.S CODES.
 - FOR STEEL GRADE Fe 500 AS PER I.S 1786-2008
 - LAPS, SPLICES & BOND LENGTH SHOULD BE 50 D WHERE 'D