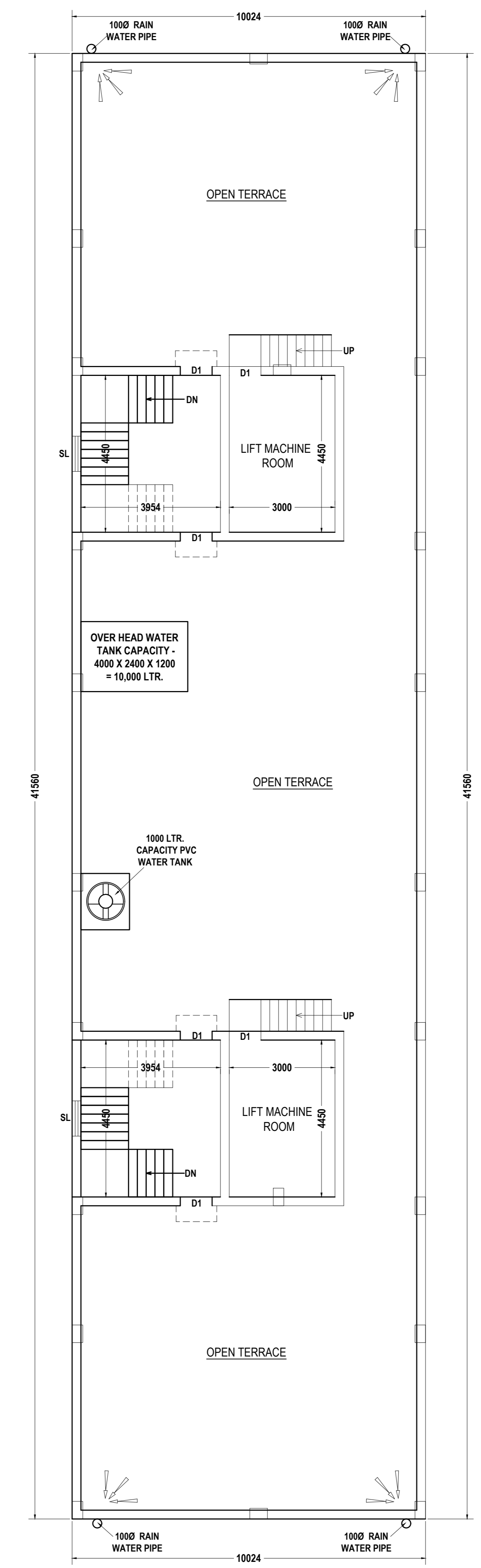
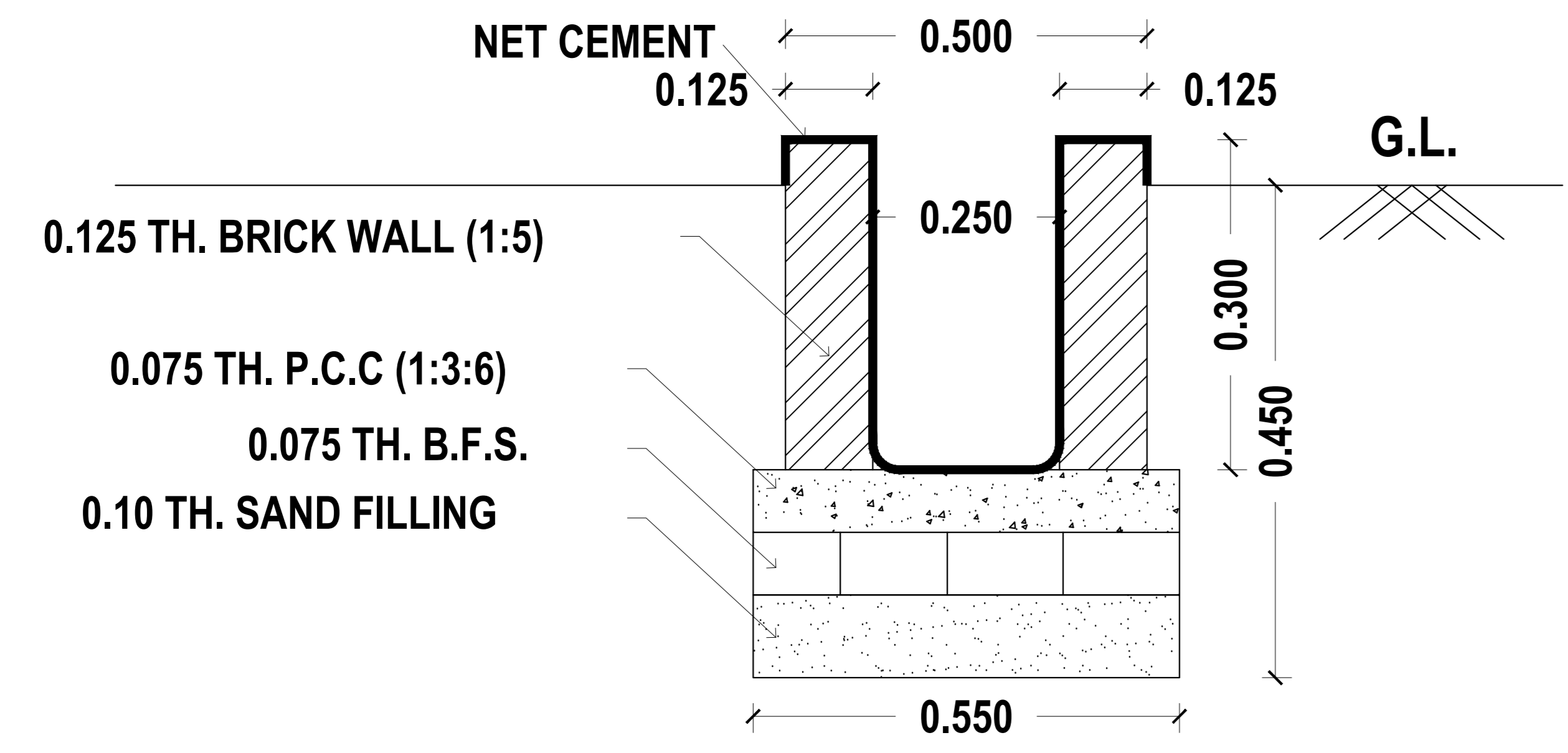


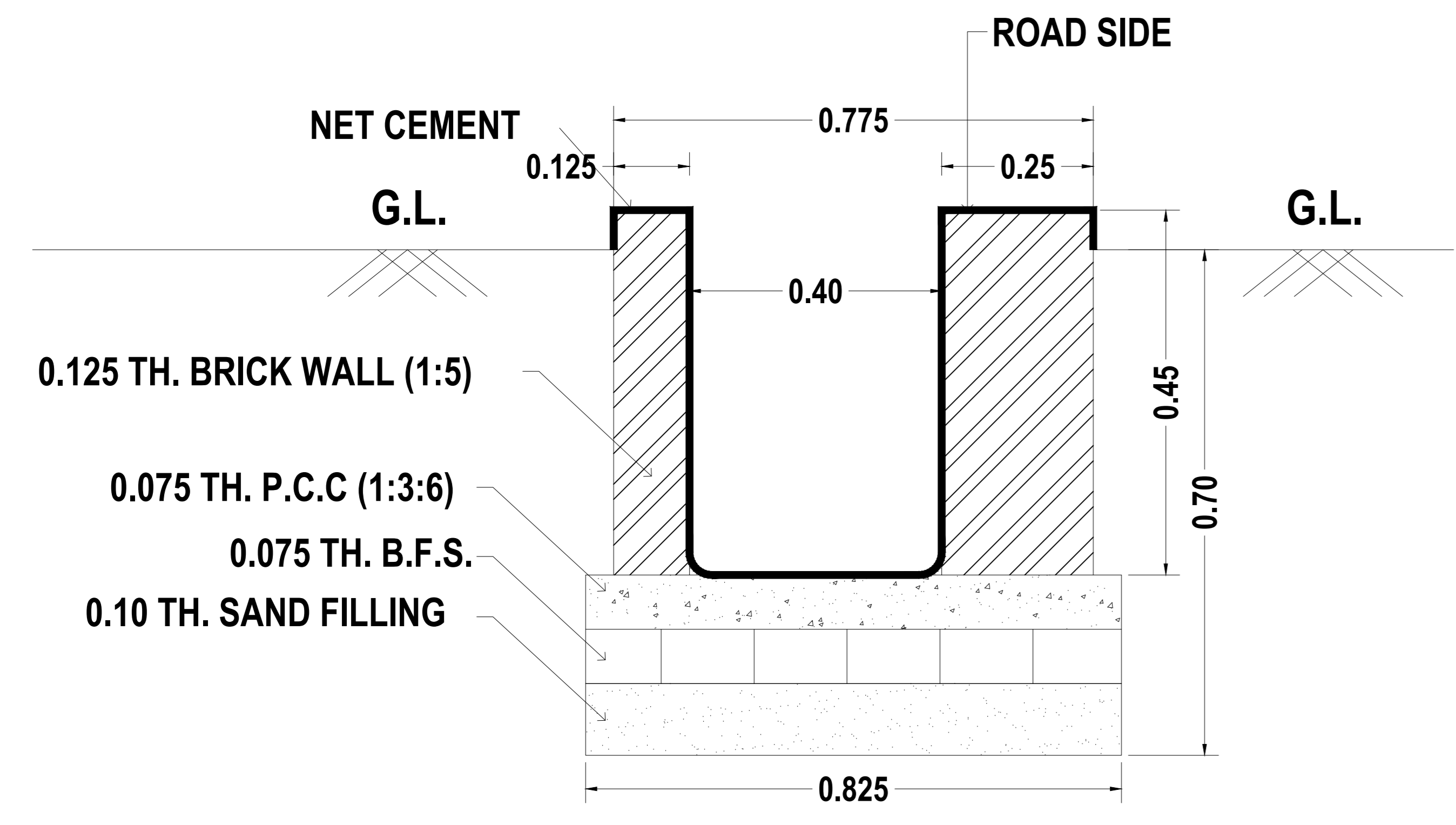
SITE PLAN
SCALE- (1 : 200)
DIMENSION ARE IN MM.



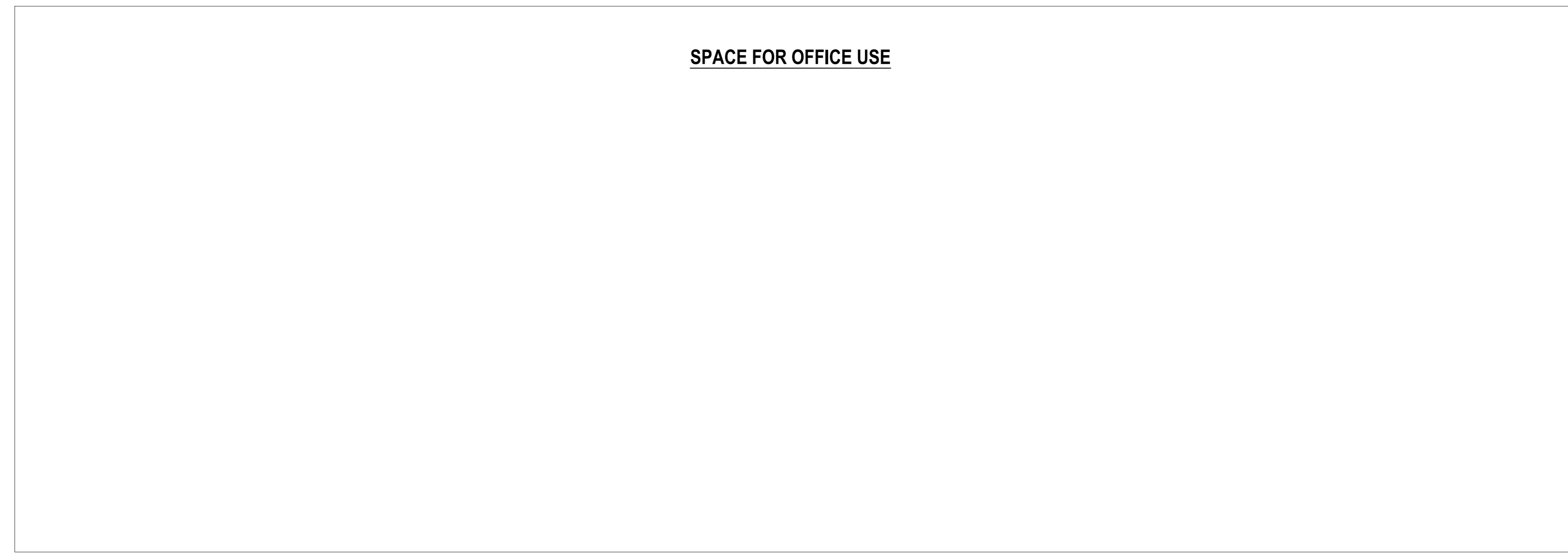
TERRACE PLAN
SCALE- (1 : 100)



CROSS SECTION OF HOUSE DRAIN
SCALE - 1 : 20



CROSS SECTION OF EXISTING PUCCA DIAIN
SCALE - 1 : 20



TITLE :
THE PLAN SHOWING FOR
SUPPLY & DRAINAGE
CONSTRUCTION OF PROPOSED
TOP RAIN WATER HARVESTING
SYSTEM FOR PROPOSED B+G+4
APARTMENT BUILDING OF 1) CHHABI
MANDAL, W/O- LATE RANJIT KUMAR
MANDAL, 2) DEBABRATA MANDAL, S/O-
LATE RANJIT KUMAR MANDAL, 3)
SHAMPA GHOSH, W/O.- MANAS GHOSH,
AT MOUZA - NARAMPUR, J.L. NO.- 174,
R.S. PLOT NO.- 43 (PART), L.R. PLOT
NO.- 1702 (PART), IN HOLDING NO.-
1163, AT STREET- RABINDRA NAGAR
JUDGE COURT MAIN ROAD, WARD NO.-
22, P.S.- MEDINIPUR, DIST.- PASCHIM
MEDINIPUR, UNDER MIDNAPORE
MUNICIPALITY.

**LEGAL REPRESENTATIVE EXECUTORS,
ADMINISTRATOR & ASSIGNS IN
FAVOUR OF 'MK REALTORS' PROP.
SRI KAMAL KARMAKAR, S/O- ANADI
MOHAN KARMAKAR**

R E F E R E N C E	
PLOT LINE	
EX.DRAIN	
PROP. DRAIN	
EXI. ROAD	
WATER SUPPLY LINE	
DRAINAGE & SEWERAGE WORK	
ELECTRIC POST	⊥
WATER TAP	⊥

NOTE:-
ALL DIMENSION ARE IN MM.
WATER TO BE SUPPLIED IN TO THE HOUSE
FROM WELL THROUGH OVER HEAD TANK BY 1
HP Z-PUMP.